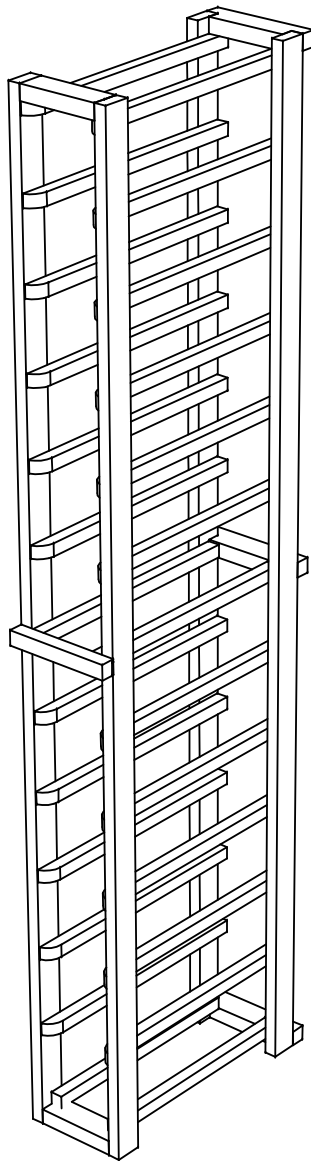




## ASSEMBLY INSTRUCTIONS

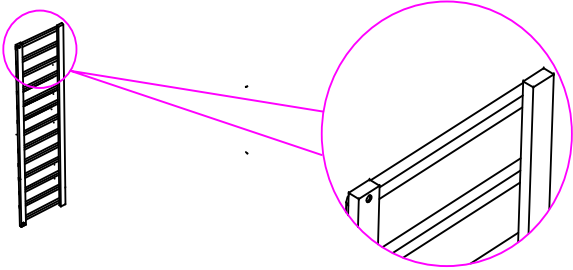
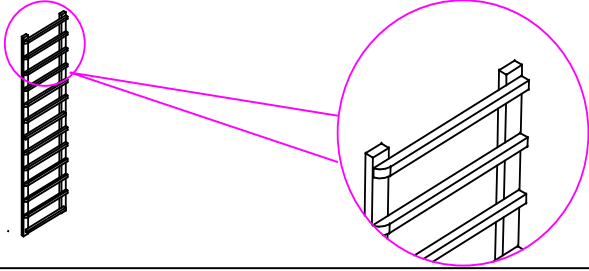
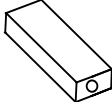
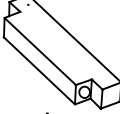
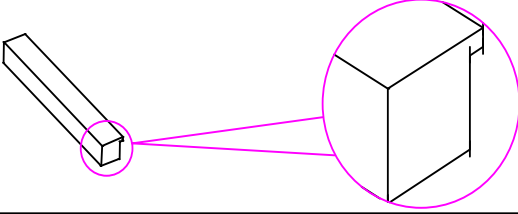


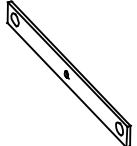
# N'FINITY STACKABLE 1 COLUMN INDIVIDUAL RACK



WineEnthusiast.com  
800.356.8466

# N'FINITY STACKABLE 1 COLUMN INDIVIDUAL RACK

## PARTS & HARDWARE

CODE	DESCRIPTION	QTY	SKETCH DRAWING
A1	Left Side Ladder	1 PC	
A2	Right Side Ladder	1 PC	
B.	Top and Bottom Front Bar	2 PCS	
C.	Top, Center, Bottom Back Bar	3 PCS	
D.	Center Front Trim	1 PC	
E.	1- $\frac{1}{4}$ " # 8 screw	10 PCS	
F.	$\frac{1}{2}$ " # 6 Screw	3 PCS	
G.	Metal Front Support	1 PC	

**Note:**

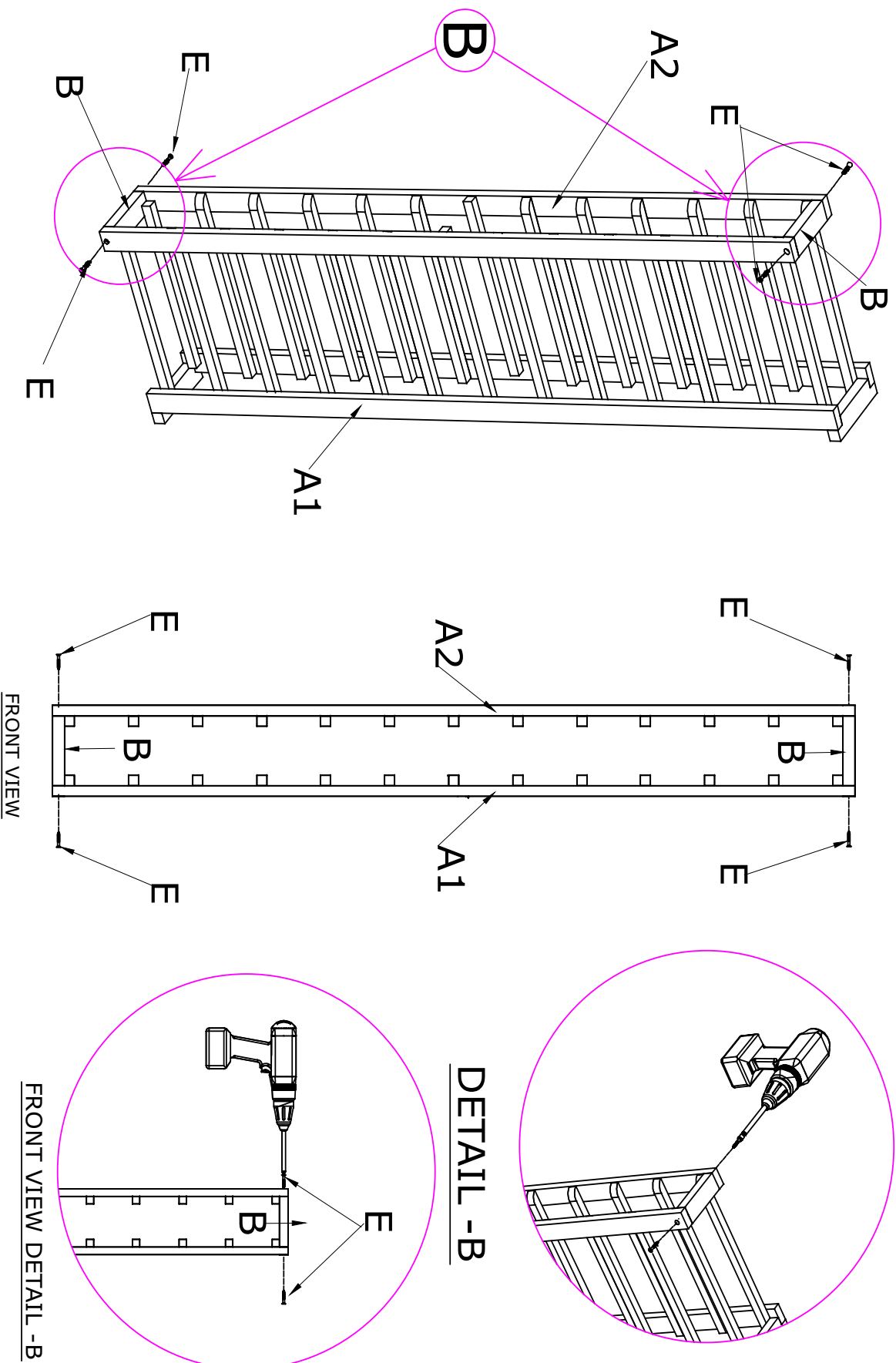
Phillips Head screwdriver, electric screwdriver or electric drill required for assembly. Electric screwdriver is the preferred choice for ease of assembly. When using electric drill or electric screwdriver, do not overtighten screws to minimize the risk of wood splitting.



# N'FINITY STACKABLE 1 COLUMN INDIVIDUAL RACK

## ASSEMBLY INSTRUCTIONS

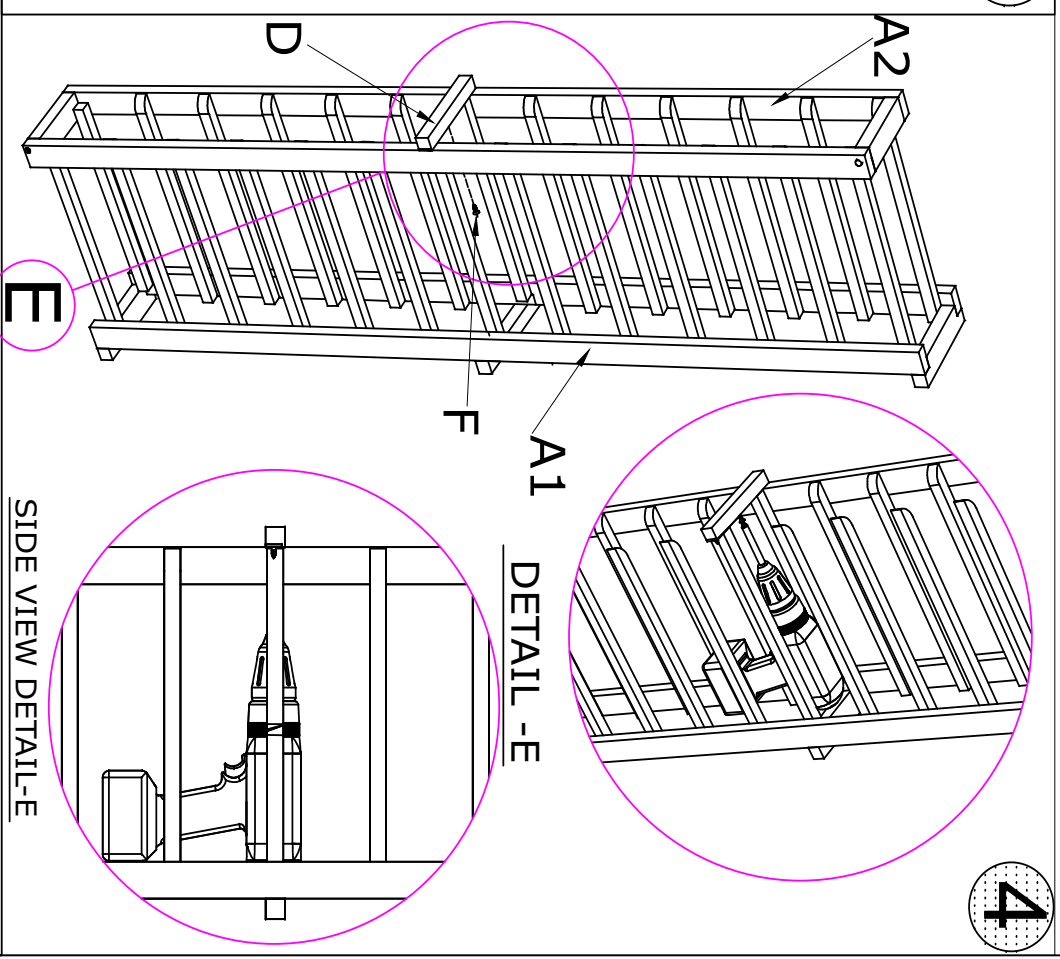
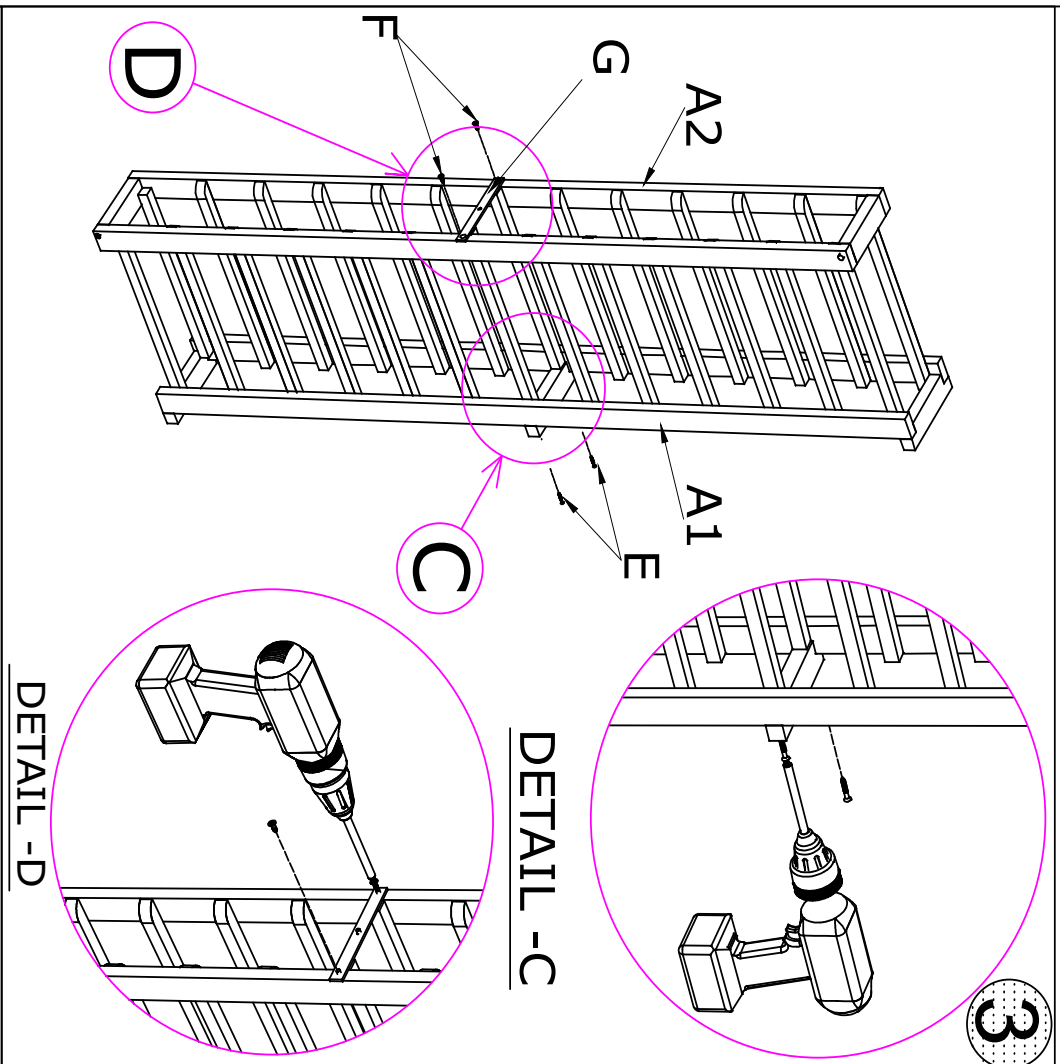
2



- Stand rack vertically upright. Attach top front bar (B) and bottom front bar (B) to left ladder(A1) and right ladder (A2) using 4 screws (E). (See detail B for clarification).

# N'FINITY STACKABLE 1 COLUMN INDIVIDUAL RACK

## ASSEMBLY INSTRUCTIONS



3. Attach center back bar (Remaining C) to back side of left ladder(A1) and right ladder (A2) using 2 screws (E). (See detail C for clarification).
4. Attach metal front support (G) to front side of left ladder (A1) and right ladder (A2) using 2 screws (F). (See detail D for clarification), then attach center front trim (D) to metal front support using 1 screw (F). (See detail E for clarification).

**N'FINITY STACKABLE  
1 COLUMN INDIVIDUAL RACK  
COMPLETED ASSEMBLY SHOWN**

